

## Silverlink 600 Bains Marie (Wet Heat)

### Key Features

- Type: Electric
- Counter-top unit
- Thermostatic temperature control
- Wet heat operation (indirect heat)
- Drainage tap to front
- Supplied with stainless steel pots and lids
- Nitrile rubber feet



BS3W

### Construction

- Body: stainless steel grade 430
- Pots: stainless steel grade 304

### Available Options

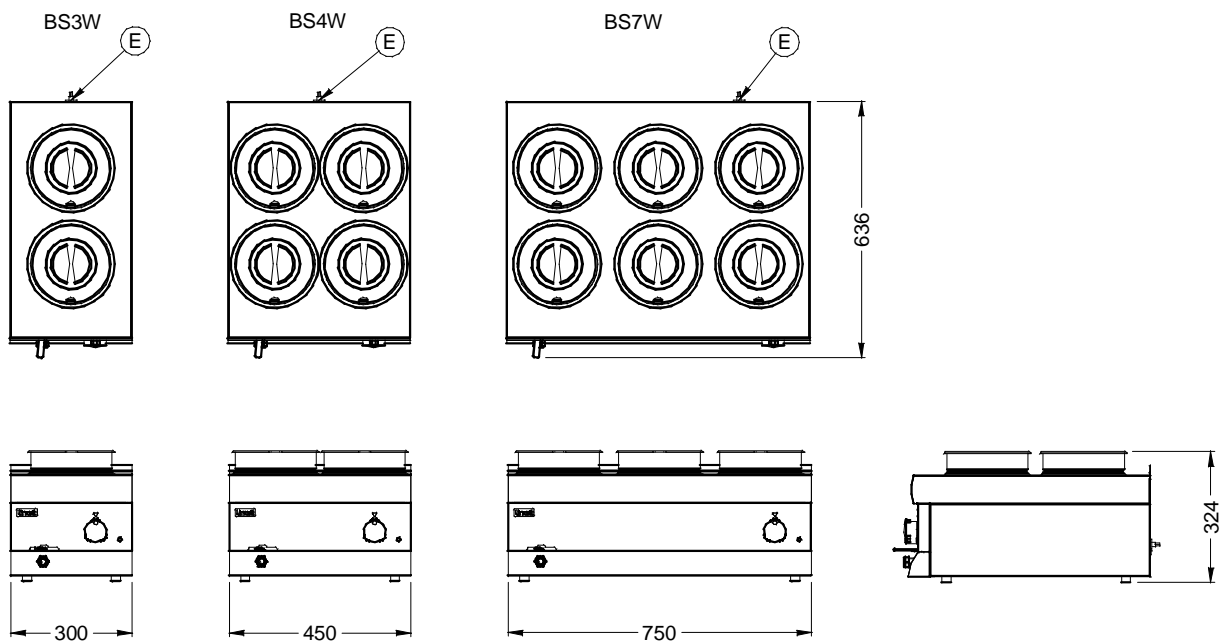
- 2, 4 and 6 pot sizes

### Available Accessories

- Various pedestals and stands

## Specifications

Model	BS3W	BS4W	BS7W
External height (mm)	324	324	324
External width (mm)	300	450	750
External depth (mm)	636	636	636
Number of pots	2	4	6
Pot capacity (litres)	4.5	4.5	4.5
Net weight unpacked (kg)	11.0	14.55	21.20
Gross weight packed (kg)	16	22	33
Shipping volume (m <sup>3</sup> )	0.145	0.214	0.309
Total electrical power rating (kW)	1.0	1.0	2.0
Electrical supply 1N~+E 230V 50-60Hz Current rating (A)	4.3	4.3	8.7



Lincat Limited, Whisby Road,  
Lincoln LN6 3QZ,  
United Kingdom

UK Sales Tel: 01522 875500 UK Spares Tel: 01522 875510 UK General Tel: 01522 875555  
 UK Fax: 01522 875530 International Sales Tel: +44 1522 503250 International Fax: +44 1522 875530  
 Website: www.lincat.co.uk UK Sales e-mail: sales@lincat.co.uk International Sales e-mail: export@lincat.co.uk



Document ref:  
S-LINKBAINPOTWET  
Issue date: Oct-09